

LED Relay Zone Controller 0-10V

A simple solution for wireless control and daylight harvesting.

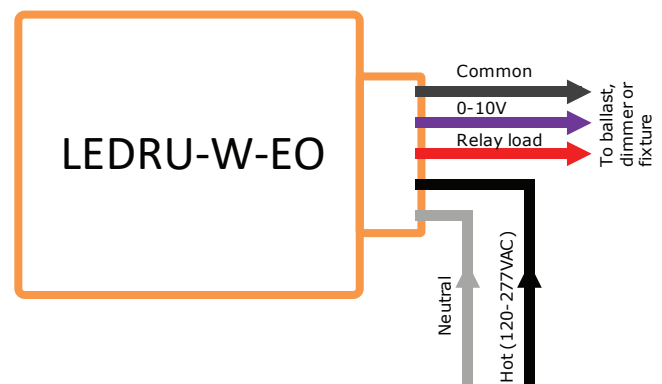
The LED relay zone controller uses wireless technology to communicate with other self-powered EnOcean-based products and provides an amazingly simple solution for dimming control of LED lighting. The compact size enables flexible installation inside of or next to electrical boxes and fixtures so it can be easily wired out of sight using standard wiring practices. Simply link the module to an EnOcean-based motion sensor, light level sensor, switch or rocker pad and experience levels of efficiency and convenience that can only be achieved through wireless controls. It is also possible to link the LED controller to a central controller or via a gateway to building automation systems like BACnet.

Features & Benefits

- **Interoperable.** Communicates wirelessly with other devices using the EnOcean wireless standard.
- Enables wireless dimming of a single fixture or a zone of multiple daisy chained LED fixtures (e.g. 20 each 30W or 10 each 60W).
- Supports California Title 24 daylight harvesting scenarios, occupancy control and manual dimming with input from self-powered wireless switches and sensors. Implements load shedding initiated by separate demand response controllers.
- Compact size enables flexible installation inside or next to electrical boxes and fixtures.
- Electric surge protection exceeds IEC61000-4-5 installation class 4.
- Commission your LED lighting with EnOcean's intuitive, easy-to-use wireless Navigan™ software to link devices and set parameters (e.g. timeouts, ramp speeds) from a laptop computer. Manual push buttons may also be used for linking and simple commissioning.
- Two molded buttons and one LED indicator light can be used to configure or manually control the device.



LEDRU



LED Relay Zone Controller 0-10V

Specifications (typ. values)

Power Supply	120/277VAC, 60Hz
Maximum Load	General Purpose: 16A @ 120/277VAC Resistive: 16A @ 120/277VAC Tungsten: 960W @ 120VAC Ballast/ LED Driver: 600W @ 120VAC
0-10V output	Current sinking 35mA / sourcing 4mA Tolerances +3%/-4% (1-10V Range) For high sinking current and dim values below 1V, the output voltage may exceed the selected output value and reach 1V max.
Power Consumption	1.1W full load, 550mW quiescent
Surge Protection	Exceeding IEC61000-4-5 installation class 4
Inputs/Outputs	Flying-lead style wires: <ul style="list-style-type: none"> • 2 power input wires • 1 switched output wire • 0-10V control output
Local User Interface	2 Buttons, 1 bi color LED for device configuration & manual control
RF Communications	EnOcean 902 MHz
Transmission Range	100ft. (30m)
Dimensions	2.78" H x 1.65" W x 1.1" D (73mm x 42mm x 28mm)
Weight	3.2oz. (90g)
Mounting	<ul style="list-style-type: none"> • Install inside standard electrical box • Connect to electrical boxes and fixtures using threaded nipple
Environment	<ul style="list-style-type: none"> • Indoor use only • 32° to 140° F (0° to 60° C) • 20% to 85% relative humidity (non-condensing)
Agency Compliance	UL: UL 2043, UL 1472, CSA C22.2 No. 184.1-96, UL 244A FCC: 902 MHz Contains: FCC: SZV-STM300U
Status reporting EEP (Outbound EnOcean Equipment Profile)	D2-40-00 (default) A5-11-01 (alternate) A5-38-08 (Master / Gateway)
Interoperable Products / EEPs (EnOcean Equipment Profiles)	Rocker Pad Switch (F6-02-02) Occupancy Sensor (A5-07-01) Occupancy Sensor (A5-07-02) Occupancy Sensor (A5-07-03) Light Level Sensor ((A5-06-02) Light Level Sensor (A6-06-03) Central Controller (A5-38-08)

Ordering information

Item Number	Item Description	Color
LEDRU-W-EO	LED Relay Zone Controller, 902MHz	White

Typical Applications

The LED relay zone controller can be used in conjunction with EnOcean-enabled rocker pads, light sensors and occupancy detection devices to provide wireless dimming of LED fixtures. It utilizes standard line voltage wiring and can be conveniently installed within a standard electrical box or mounted to a fixture or box using the threaded connector.

Energy Harvesting Wireless

Enjoy unlimited flexibility and performance with EnOcean-enabled energy harvesting wireless solutions. Systems that employ this wireless device benefit from limitless supplies of energy and unrivaled flexibility.



enocean[®]

1 International Wireless Standard
400 EnOcean Alliance Members
1000 Interoperable Products

www.enocean-alliance.org