

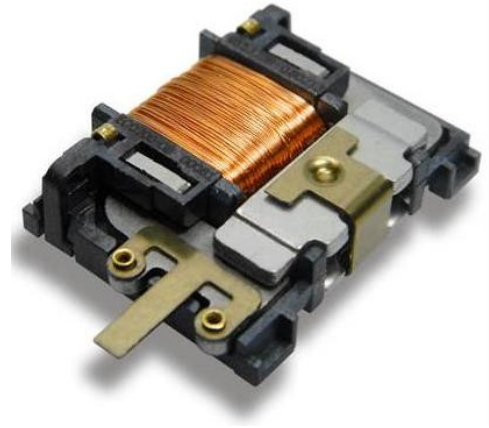
Energy Harvester

ECO 200

The energy module ECO 200 is an energy converter for linear motion. It can be used to power the EnOcean radio modules PTM 330, PTM 335, PTM 330U, PTM 430J and PTM 535Z.

The energy output at every actuation of the spring is sufficient to transmit 3 sub-telegrams with PTM 330 module.

Possible applications are miniaturized switches and sensors in building technology and industrial automation.



Ordering Information

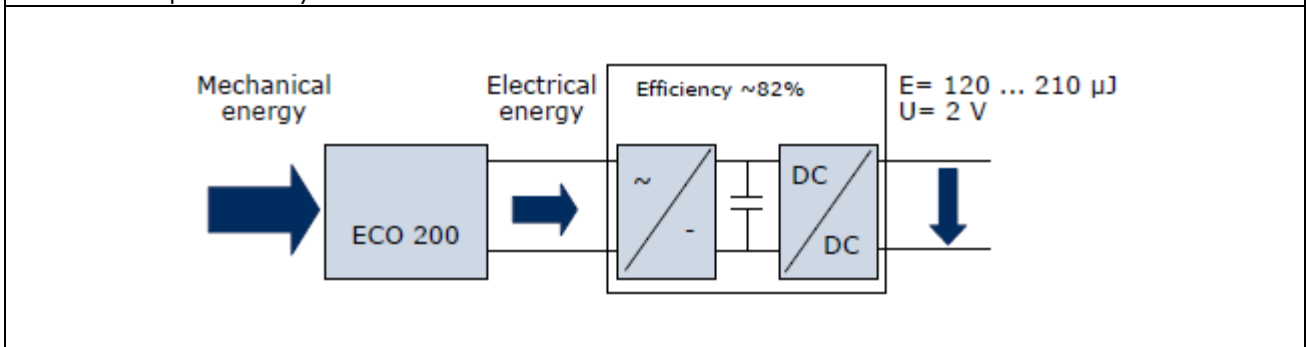
TYPE
ECO 200

ORDERING CODE
S3016-N200

Feature Overview

Mechanical Dimensions	29.3 x 19.5 x 7.0 mm
Actuating force	2.7 ... 3.9 N
Actuating travel	1.2 mm
Changes of switching state	typ. >1.000.000 at 25 °C (up or down)
Operating temperature	-25 up to +65 °C
Energy output	120 ... 210 µJ @ 2 V (with circuit specified below)
Packing unit	400 pcs, Tape & Reel

In order to achieve the performance specified it is essential to follow the "ECO 200 Installation Instruction" provided by EnOcean.



Patent protected: EP 1389358, US 7391135, US2006/0091984 A1

The ECO 2xy is an energy harvester designed for use with radio modules produced by EnOcean. The use of the ECO 2xy in combination with energy harvesting wireless communication is protected by EnOcean under international patents. Purchase of the ECO 2xy does not include a license to any EnOcean intellectual property. The use of the ECO 2xy in conjunction with energy harvesting wireless switches or sensors is allowed if a PTM 330 module or derivate from EnOcean is used as transmitter. In all other cases written approval of EnOcean is required.