

ESO-T 200

Environmental Sensor Outdoor – Temperature Soil

ESO-T 200 from EnOcean enables measurements of the soil temperature. It is designed for use with the EMOS 200LH Transceiver Module.

ESO-T 200 implements dedicated sensor functionality capable of measuring the soil temperature in degrees Celsius. ESO-T 200 is connected to the EMOS 200LH via one of its Sensor Interfaces.

The ESO-T 200 is based on an ultra-low power sensing unit with single precision up to 12-bit measurement. Digital communication ensures precision on the whole communication path.



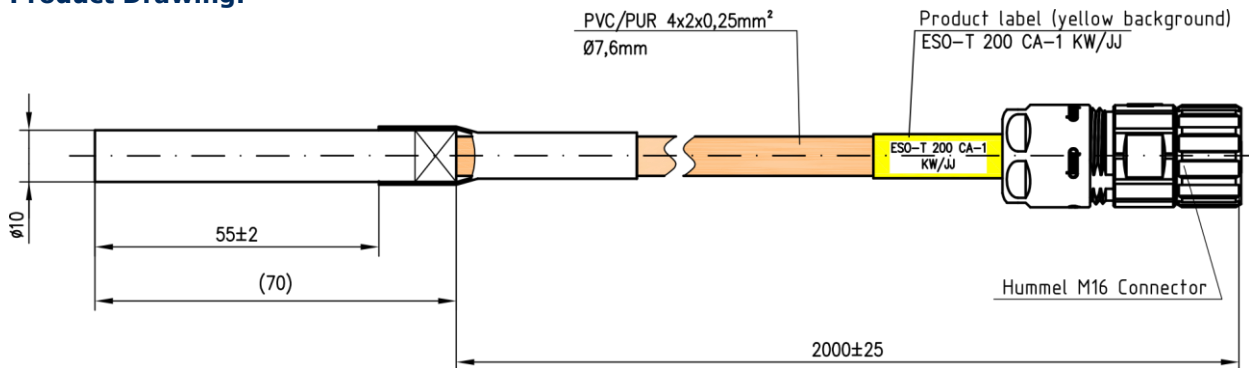
TYPE
ESO-T 200

ORDERING CODE
H6095-T200

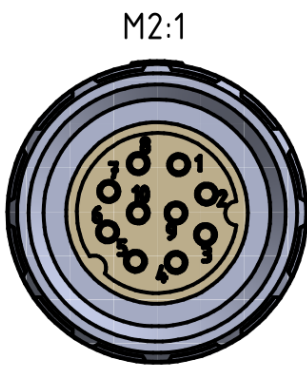
Features overview

Used internal Sensor	STS-31 Sensirion
Length of sensor rod / probe	5,5 cm
Measurement Range	-20 to 60 °C
Measurement Resolution	0,1 °C
Measurement Accuracy	±0.2 °C
Sensor Data format	GSI with conversion to GP @ EMOS (NOTE 1)
GSI Sensor Type	Trigger Sensor (not powered constantly)
GP Data Channel Temperature	IDX:0 (12 bit, 0.15 °C step size)
Sensor Product ID (6 bytes)	E0: Manufacturer ID 0003: Product ID CCCCC: Unique Sensor ID
Protection class	IP 67
Cable length	2000 mm +- 25 mm
Operating Temperature	-20 °C ... +60 °C

Product Drawing:



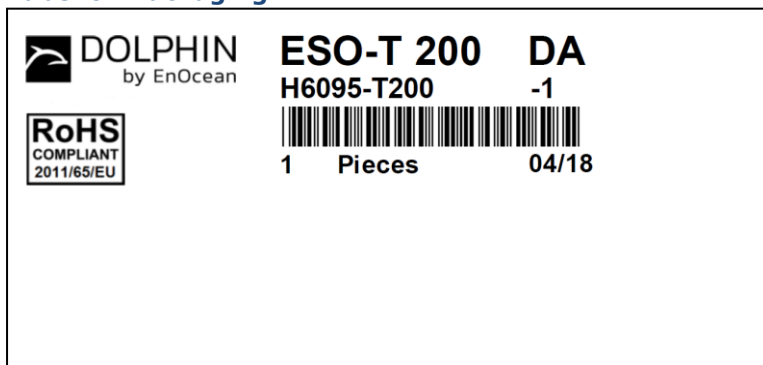
Connector Pin Assignment



Pin configuration M16:

- Pin 1 = VDD_Switched
- Pin 2 = VDD_Permanent
- Pin 3 = SCL
- Pin 4 = GND
- Pin 5 = Sensor TRQ
- Pin 6 = GND
- Pin 7 = SDA
- Pin 8 = GND
- Pin 9 / 10 = Shortcut in connector

Label on Packaging



Date Code "KW/JJ": e.g. 04/18
 Step Code „YY": e.g. DA
 Order Code: H6095-T200

Date code on product refers to production date, date code on packaging refers to packaging date. There can be 1-3 days difference between these process steps.

Packaging Information

Each ESO-R is individually packet in a plastic protection 240x170mm. Sensor cable is rolled and fixed with rubber band.