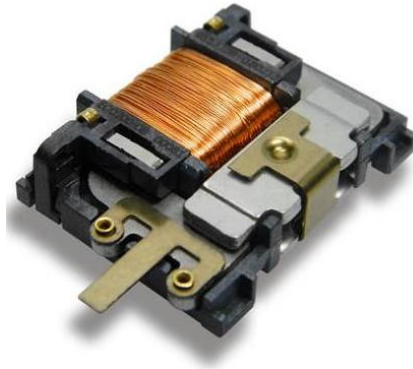


Energy Harvester

ECO 200



The energy module ECO 200 is an energy converter for linear motion. It can be used to power the EnOcean radio modules PTM 330, PTM 335, PTM 330U, PTM 430J and PTM 535Z.

The energy output at every actuation of the spring is sufficient to transmit 3 sub-telegrams with PTM 330 module.

Possible applications are miniaturized switches and sensors in building technology and industrial automation.

Ordering Information

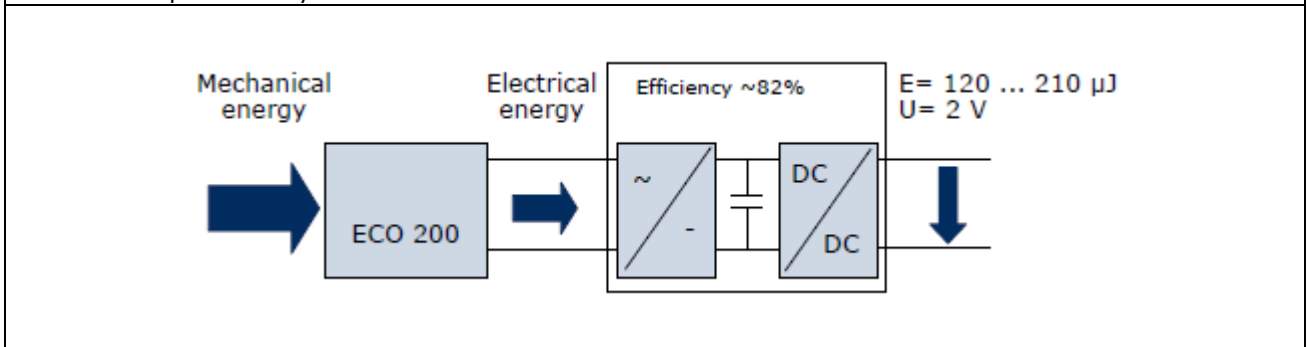
TYPE
ECO 200

ORDERING CODE
S3016-N200

Feature Overview

| | |
|-----------------------------------|---|
| Mechanical Dimensions | 29.3 x 19.5 x 7.0 mm |
| Actuating force | 2.7 ... 3.9 N |
| Actuating travel | 1.2 mm |
| Changes of switching state | typ. >1.000.000 at 25 °C (up or down) |
| Operating temperature | -25 up to +65 °C |
| Energy output | 120 ... 210 µJ @ 2 V (with circuit specified below) |
| Packing unit | 400 pcs, Tape & Reel |

In order to achieve the performance specified it is essential to follow the "ECO 200 Installation Instruction" provided by EnOcean.



Patent protected: EP 1389358, US 7391135, US2006/0091984 A1

The ECO 2xy is an energy harvester designed for use with radio modules produced by EnOcean. The use of the ECO 2xy in combination with energy harvesting wireless communication is protected by EnOcean under international patents. Purchase of the ECO 2xy does not include a license to any EnOcean intellectual property. The use of the ECO 2xy in conjunction with energy harvesting wireless switches or sensors is allowed if a PTM 33x, PTM 535 module or derivate from EnOcean is used as transmitter. In all other cases written approval of EnOcean is required.