

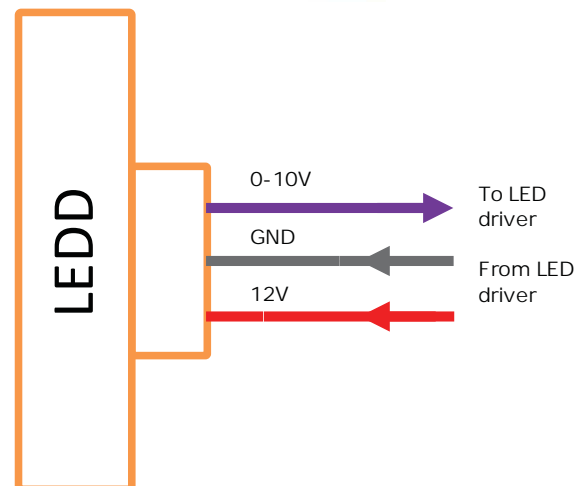
LED Controller 0-10V

A simple solution for wireless control and daylight harvesting.

The LED controller uses wireless technology to communicate with other self-powered EnOcean-based products and provides an amazingly simple solution for dimming control of LED lighting. It is directly supplied from the auxiliary 12V supply output of a connected LED driver. The compact size enables flexible installation inside of or next to electrical boxes and fixtures so it can be easily wired out of sight using standard wiring practices. Simply link the module to an EnOcean-based motion sensor, light sensor, switch or rocker pad and experience levels of efficiency and convenience that can only be achieved through wireless controls. It is also possible to link the LED controller to a central controller or via a gateway to building automation systems like BACnet.

Features & Benefits

- **Interoperable.** Communicates wirelessly with other devices using the EnOcean wireless standard.
- Enables wireless dimming of LED fixtures.
- Supports daylight harvesting scenarios, occupancy control and manual dimming with input from self-powered wireless switches and sensors. Implements load shedding initiated by separate Demand Response controllers.
- Compact size enables flexible installation inside or next to electrical boxes and fixtures.
- Commission your LED lighting with EnOcean's intuitive, easy-to-use wireless ReComm software to link devices and set parameters (e.g. timeouts, ramp speeds) from a laptop computer. Manual push buttons may also be used for linking and simple commissioning.
- Two molded buttons and one LED indicator light can be used to configure or manually control the device.



LED Controller 0-10V

Specifications (typ. values)

Power Supply	12V (11.0 - 13.2V) DC, 20mA* (max.) from LED driver * plus 0-10V sourcing current if needed	
0-10V output	Current sinking / sourcing 20mA	
Power Consumption	220mW (typ.) / 500 mW (max, incl. sourcing current)	
Inputs/Outputs	<ul style="list-style-type: none"> Flying-lead style power input wires 2 output wires for 0-10V control Radio Frequency (RF) transceiver 2 Buttons, 1 LED for device configuration & manual control 	
RF Communications	EnOcean 902 MHz	
Transmission Range	80ft. (25m)	
Dimensions	2.24" H x 1.65" W x 1.2" D (57mm x 42mm x 30mm)	
Weight	2.5oz. (70g)	
Mounting	<ul style="list-style-type: none"> Install inside standard electrical box Connect to electrical boxes and fixtures using threaded nipple 	
Environment	<ul style="list-style-type: none"> Indoor use only 32° to 140° F (0° to 60° C) 20% to 95% relative humidity (non-condensing) 	
Agency Compliance	902 MHz Contains:	FCC: SZV-STM300U IC: 5713A-STM300U

EnOcean Equipment Profile	D2-40-00 with RECOM Compatible with Navigan™	
Interoperable Products / EEPs (EnOcean Equipment Profiles)	Rocker Pad Switch (F6-02-02) Occupancy Sensor (A5-07-01) Occupancy Sensor (A5-07-02) Occupancy Sensor (A5-07-03) Light Level Sensor (A5-06-02) Light Level Sensor (A6-06-03) Central Controller (A5-38-08) Demand Response (A5-37-01)	

Ordering information

Item Number	Item Description	Color
LEDDU-W-EO	LED Controller, 902MHz	White

Typical Applications

The LED controller can be used in conjunction with EnOcean-enabled rocker pads, light sensors and occupancy detection devices to provide wireless dimming of LED fixtures.

It is supplied from the auxiliary 12V supply output of a connected LED driver and can be conveniently installed within a standard electrical box or mounted to a fixture or box using the threaded connector.

Energy Harvesting Wireless

Enjoy unlimited flexibility and performance with EnOcean-enabled energy harvesting wireless solutions. Systems that employ this wireless device benefit from limitless supplies of energy and unrivaled flexibility.



1 International Wireless Standard
300 EnOcean Alliance Members
1000 Interoperable Products

www.enocean-alliance.org